

# TRI-PAK T-400 SERIES COMPACTORS

## MECHANICAL

	T400	T400HD	T400XHD	T400X
CHARGE CHAMBER VOLUME	3.5	3.5	3.5	3.5
CHARGE CHAMBER OPENING SIZE	68" x 60"	68" x 60"	68" x 60"	68" x 60"
RAM FACE SIZE	27" x 60"	27" x 60"	27" x 60"	27" x 60"
RAM PENETRATION	13"	13"	13"	13"
COMPACTION FORCE NORMAL	56,500 lbs	76,930 lbs	113,000 lbs	63,585 lbs
COMPACTION FORCE MAXIMUM	62,120 lbs	88,470 lbs	124,344 lbs	69,945 lbs
CYCLE TIME	63 seconds	73 seconds	63 seconds	63 seconds
SYSTEM PRESSURE NORMAL	2,000 psi	2,000 psi	2,000 psi	2,000 psi
SYSTEM PRESSURE MAXIMUM	2,200 psi	2,200 psi	2,200 psi	2,200 psi
PUMP CAPACITY	20 gpm	25 gpm	30 gpm	20 gpm
MOTOR SIZE	15 hp	20 hp	25 hp	15 hp
CYLINDER SIZE	1 x 6"Ø	1 x 7"Ø	2 x 6"Ø	2 x 4"Ø
CYLINDER TYPE	Double Acting	Double Acting	Double Acting	Double Acting
RAM FACE PRESSURE NORMAL	34.2 psi	47.5 psi	69.8 psi	38.5 psi
RAM FACE PRESSURE MAXIMUM	39.4 psi	52.3 psi	76.8 psi	42.4 psi
OIL TANK CAPACITY	30 gal	40 gal	75 gal	30 gal
SHIPPING WEIGHT	9,950 lbs	11,000 lbs	13,500 lbs	9,950 lbs

## ELECTRICAL

CONTROL SYSTEM	110 VOLT 60 CYCLE POWERED BY STEP-DOWN TRANSFORMER
CONTROL PANEL	FULLY WIRED. KEYED START BUTTON, EMERGENCY STOP, FULL LIGHT, RESET BUTTON, PLC, CURRENT SENSOR
POWER	208/230/575 VOLT, 3 PHASE 60 CYCLE

## DIMENSIONS

	A	B	C	D	E
T400	180"	45"	68"	68"	60"
T400HD	180"	45"	68"	68"	60"
T400XHD	180"	45"	68"	68"	60"
T400X	154"	48"	68"	68"	60"

## STANDARD FEATURES

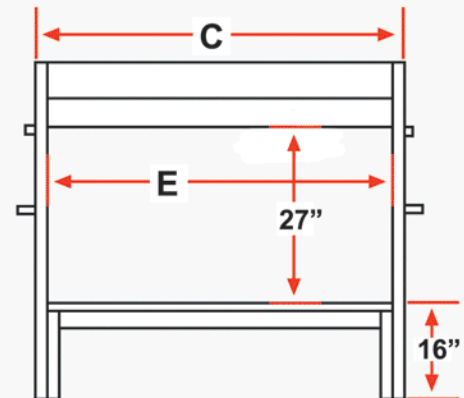
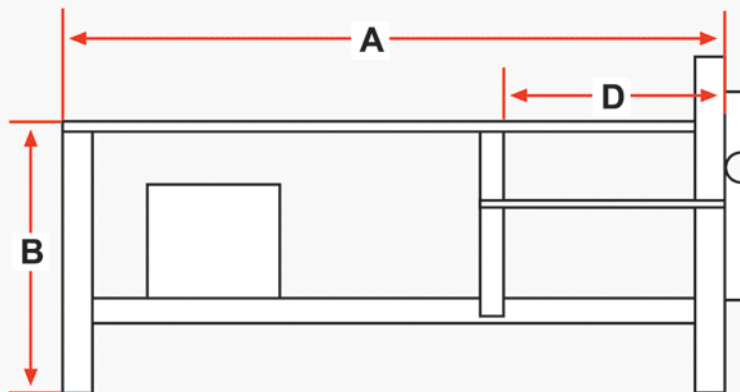
- ▶ CSA Approved Design
- ▶ Heavy Duty Oil - tight Pushbutton Controls
- ▶ Key Lockable Start Pushbutton
- ▶ Automatic Multi - cycle Operation
- ▶ PLC Controlled System
- ▶ Full - Container Light

## OPTIONAL EQUIPMENT

- ▶ Advance - warning Light
- ▶ Fluid - filled Pressure Gauge
- ▶ Oil Heater
- ▶ Odor Control System
- ▶ Open Hopper -(for top or dock loading)
- ▶ Fully Enclosed Hopper with Door
- ▶ Through the Wall Installation Kits
- ▶ Walk-on or Drive-on Decks
- ▶ Safety Gate
- ▶ Hydraulic Cart-dump Systems

This Equipment is CSA Approved and  
Conforms to all Current ANSI Z245.2  
Safety Standards.

In order to provide the most currently engineered and designed  
equipment, We reserve the right to change specifications without notice.  
This brochure is intended to provide information only, and should not  
be used in an arbitrary manner to judge equipment for any particular purpose.



DISTRIBUTED BY:



DISTRIBUTING INC.

**THE TREND SETTERS**